





Non corrosive, lightweight replacements for stainless steel pad eyes and U bolts.

Equiplite™ Soft Deck Loops using UV tolerant DSK 75 ULTRA loops take the load. Unlike metal these loops will take full SWL from any direction. Making the deck loops more compact. This allows the deck loop to be approx 80% lighter compared to traditional stainless fittings assemblies of the same load.

Equiplite soft deck loops are being used in new boats to replace:

Stainless U bolts and pad eyes

Low weight bow tack connection point.

Spinnaker block pad eyes

JIB barber haul systems

Mast base pad eyes

Main boom pad eyes

High-strength material

The soft deck loops use high-strength DSK 75 Ultra, are constructed using non corrosive materials and are full waterproof. Deck loops have unmatched impact and wear resistance.

Stands up to salt, sun and long-term wear

DSK 75 ULTRA with UV resistant cover and coating give extra protection for chafe and if maintained will give long life.



Double Deck loops: are available, as custom items only.

Note: Matching parts should be rounded, smooth, and with no sharp edges or burrs.

Dyneema loops are coated with an UV coating, recoat when worn for long life. It is recommended that loops should be replaced when worn.

All prices are retail prices in Euro.

All data approx and subject to change without notice.

Other sizes available on special order.

Unspecified dims. mm.
Break load approx. 2 x SWL.

Please specify exact deck thickness with order.

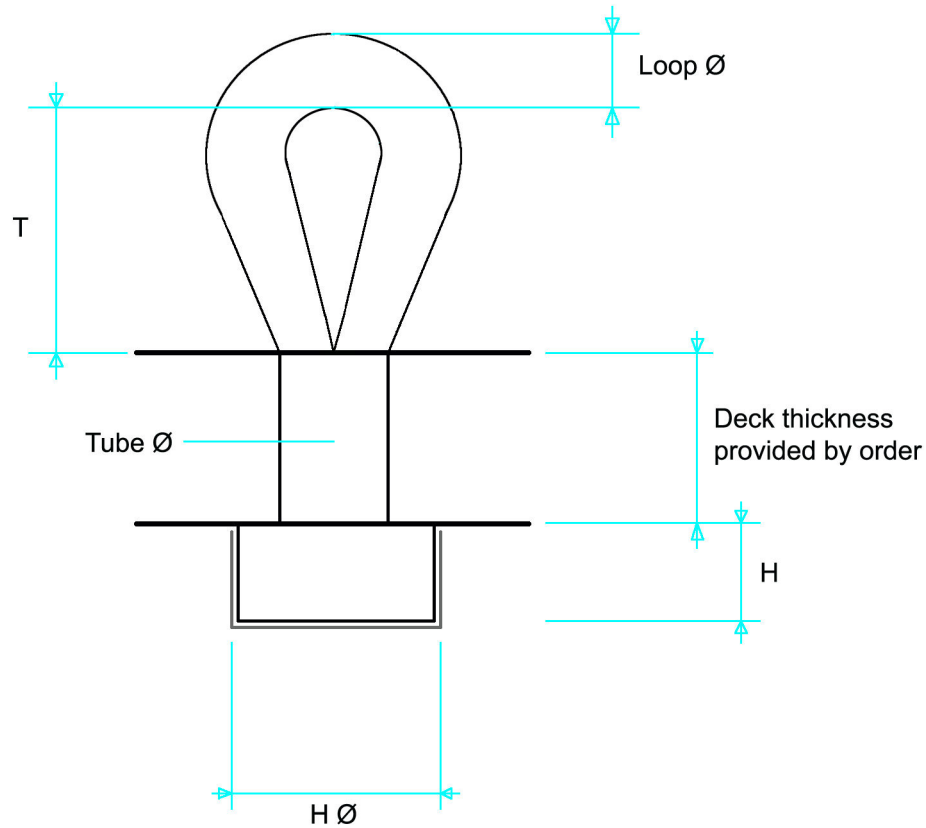
| Single Loop | Loop Ø | Tube Ø (mm.) | H Ø | Height | Throat | SWL (Kg.) | Wt. (Gm.) |
|-------------|--------|--------------|-----|--------|--------|-----------|-----------|
| 12-DS | 19 | 29 | 52 | 35 | 50 | 10.000 | 110 |
| 10-DS | 15 | 29 | 50 | 35 | 45 | 8.000 | 99 |
| 8-DS | 12 | 22,5 | 42 | 33 | 35 | 6.000 | 60 |
| 7-DS | 10 | 17 | 39 | 25 | 30 | 4.000 | 50 |
| 6-DS | 8 | 17 | 39 | 25 | 25 | 2.600 | 40 |
| 4-DS | 7 | 13,5 | 39 | 25 | 20 | 1.800 | 35 |

Double Deck Loops: Are available as custom items only | Add 60% to the Single Loop prices.



Spacers on deck may be required to make sure blocks pull straight.

| Spacer | Bore Ø (mm.) | Wt. (Gm.) |
|-----------|--------------|-----------|
| 12-Spacer | 29 | 11 |
| 10-Spacer | 29 | 11 |
| 8- Spacer | 22,5 | 6 |
| 7- Spacer | 17 | 4 |
| 6- Spacer | 17 | 4 |
| 4- Spacer | 13,5 | 3 |



| Part # | Loop Ø | Tube Ø | H Ø | H | T | SWL (kg.) | Wt. (Gm.) |
|--------|--------|--------|-----|----|----|-----------|-----------|
| 12-DS | 19 | 29 | 52 | 35 | 50 | 10.000 | 110 |
| 10-DS | 15 | 29 | 50 | 35 | 45 | 8.000 | 99 |
| 8-DS | 12 | 22,5 | 42 | 33 | 35 | 6.000 | 60 |
| 7-DS | 10 | 17 | 39 | 25 | 30 | 4.000 | 50 |
| 6-DS | 8 | 17 | 39 | 25 | 25 | 2.600 | 40 |
| 4-DS | 7 | 13,5 | 39 | 25 | 20 | 1.800 | 35 |

Note:
 Unless otherwise specified:
 Dimension are in mm.
 All data approx.
 SWL in kg. Breakload approx 2x SWL

| | | | |
|-----------|--------------------------------------|---------|--|
| Date: | 2009 | Update: | |
| Scale: | | | |
| By: | Equiplite Europe Gijsbert de Jongh | | |
| Comments: | | | |

Hard Anodise
 Material:
 Debur and break sharp edges

EQUIPLITE P/L

Deck loops measurements

A